

Model No :: **52206LEDDL P-BL**  
 Name :: Cobra



Project Name :: \_\_\_\_\_  
 Location :: \_\_\_\_\_  
 Type :: \_\_\_\_\_  
 Quantity :: \_\_\_\_\_  
 Notes :: \_\_\_\_\_

**Product Information**

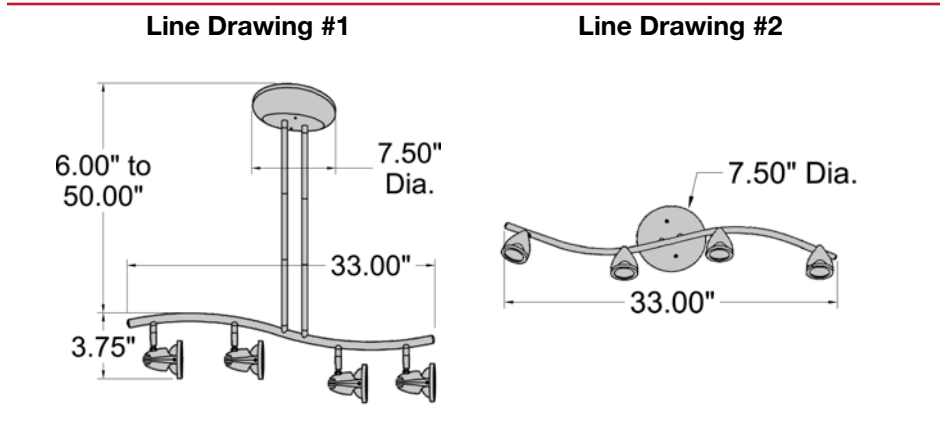
Product ID :: 52206  
 UPC Code :: 641594235012  
 Mounting Type :: Ceiling  
 Finish :: Black (BL)  
 Diffuser :: 0  
 Alt. Finishes :: Black (BL); Brushed Steel (BS)  
 Alt. Diffusers :: 0

**Product Dimensions**

Fixture	Canopy
Length :: 33"	Length :: N/A
Width :: N/A	Width :: N/A
Diameter :: N/A	Diameter :: 7.5"
Extension :: N/A	Height :: 1"
Height :: 3.75"	
Overall Height :: 6-50"	

**Technical Specifications**

Qualifications	Specifications	Photometrics	Recommended Dimmers
Location Rating :: Dry	Frame Material :: Metal	CCT :: 3000	0
Certification :: UL Listed (US/Canada)	Diffuser Material :: 0	CRI :: 90	
IES File ::	Voltage :: 120v	Wattage :: 22w	
JA8 Compliant :: Yes	Lamping Type :: Replaceable LED	Nominal Lumens :: 1600Lm	
Energy Star :: No	Lamping Base :: GU-10	Delivered Lumens :: N/A	
ADA Compliant :: No	Lamp Quantity :: 4	Additional Items :: 0	
Marine Grade :: No	Lamp Wattage :: 5.5 W		
Emergency Lighting :: No	Total Wattage :: 22w		
Warranty :: 1 Year Limited	Lamps Included :: Yes		
	J-Box Type :: Standard		



**IES File**

Image Not Available

Toll Free 800-828-5483 • [www.AccessLighting.com](http://www.AccessLighting.com)

14410 Myford Road, Irvine, CA 92606  
 The information provided is subject to change without notice. ©2020 Access Lighting Corporation. All Rights Reserved  
 Rev. 202004 Filename:: 52206LEDDL P-BL.pdf

